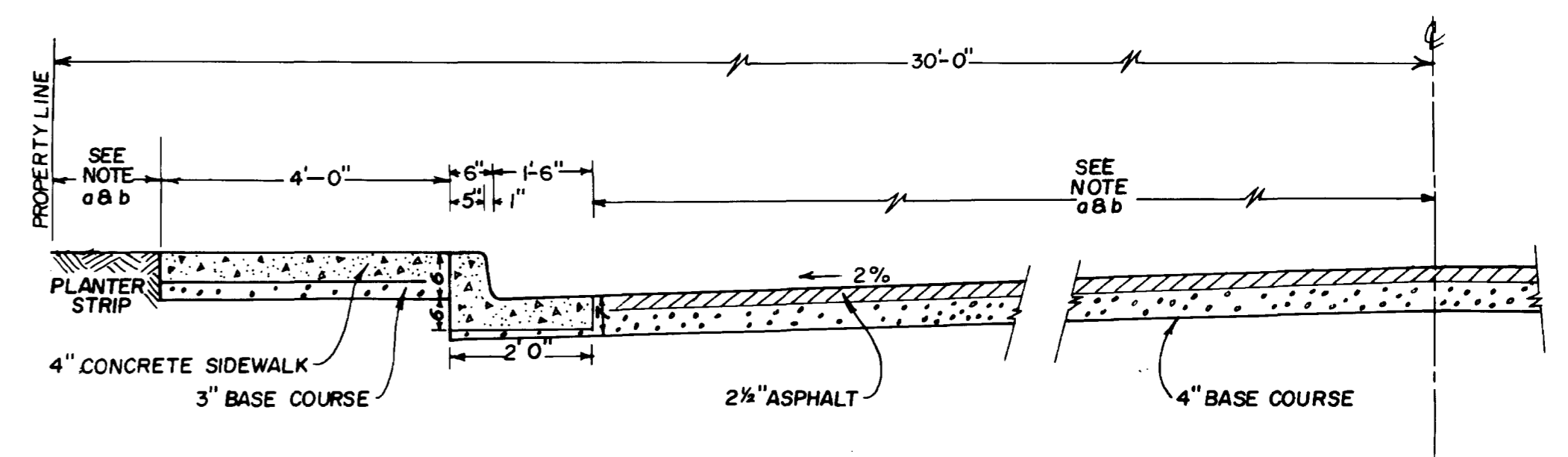


SOUTHEASTERN ASSOCIATES



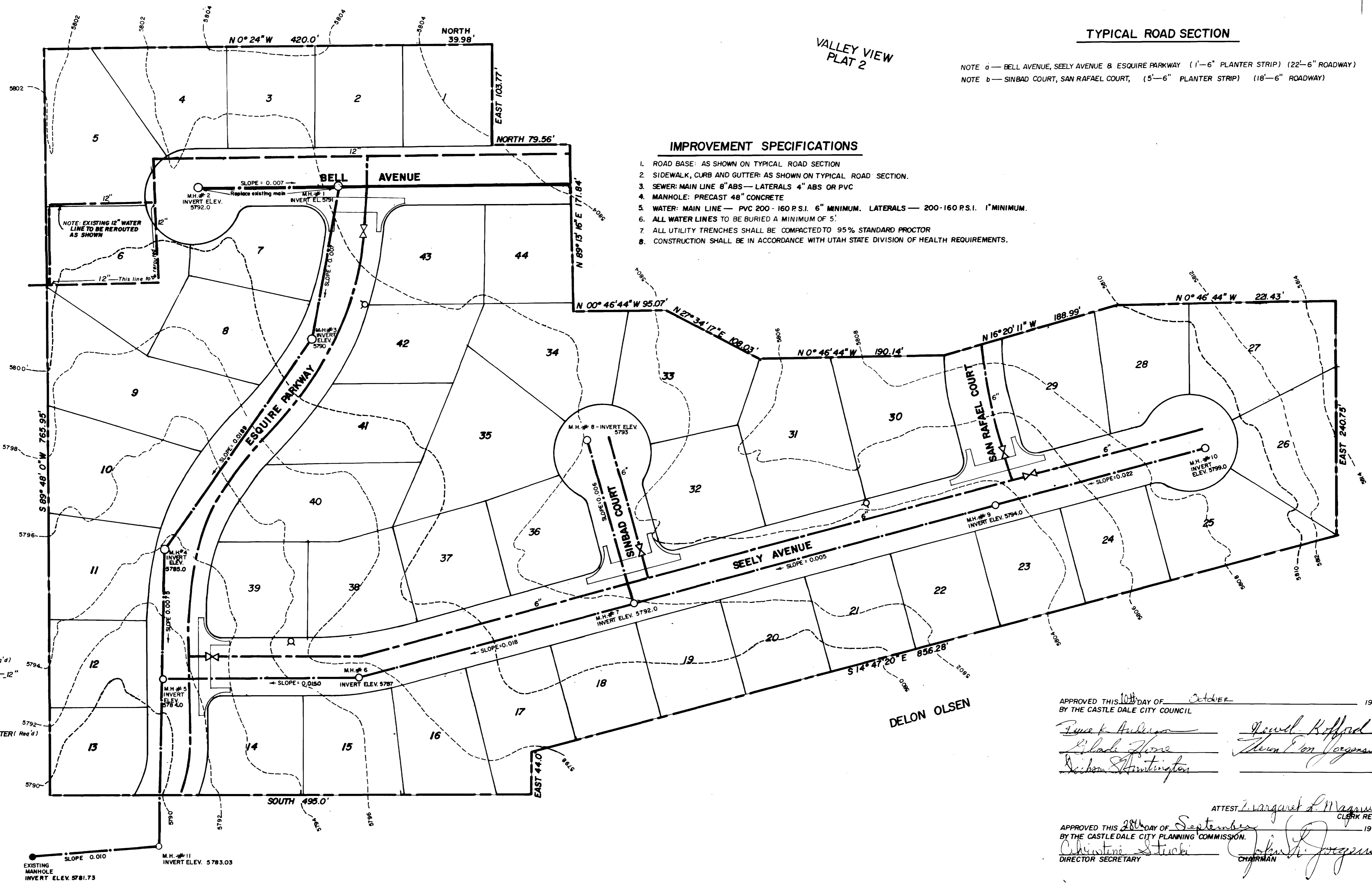
TYPICAL ROAD SECTION

NOTE a — BELL AVENUE, SEELY AVENUE & ESQUIRE PARKWAY (1'-6" PLANTER STRIP) (22'-6" ROADWAY)
NOTE b — SINBAD COURT, SAN RAFAEL COURT, (5'-6" PLANTER STRIP) (18'-6" ROADWAY)

VALLEY VIEW PLAT 2

IMPROVEMENT SPECIFICATIONS

1. ROAD BASE: AS SHOWN ON TYPICAL ROAD SECTION
2. SIDEWALK, CURB AND GUTTER: AS SHOWN ON TYPICAL ROAD SECTION.
3. SEWER: MAIN LINE 8" ABS — LATERALS 4" ABS OR PVC
4. MANHOLE: PRECAST 48" CONCRETE
5. WATER: MAIN LINE — PVC 200 - 160 P.S.I. 6" MINIMUM. LATERALS — 200-160 P.S.I. 1" MINIMUM.
6. ALL WATER LINES TO BE BURIED A MINIMUM OF 5'.
7. ALL UTILITY TRENCHES SHALL BE COMPACTED TO 95% STANDARD PROCTOR
8. CONSTRUCTION SHALL BE IN ACCORDANCE WITH UTAH STATE DIVISION OF HEALTH REQUIREMENTS.



ESQUIRE ESTATES

RONALD E. DYCHES

- LEGEND:
- MANHOLE (Req'd)
 - EXISTING MANHOLE
 - SEWER MAIN (Req'd)
 - EXISTING SEWER MAIN
 - WATER MAIN — 6" (Req'd)
 - EXISTING WATER MAIN — 12"
 - ⊕ FIRE HYDRANT (Req'd)
 - ⊗ VALVE (Req'd)
 - CONTOUR ELEVATION
 - CONCRETE VALLEY GUTTER (Req'd)

SCALE 1" = 50'

APPROVED THIS 10th DAY OF October 1979
BY THE CASTLE DALE CITY COUNCIL

James K. Anderson
Richard Jones
Richard Huntington

David Kofford
Theron E. Jorgensen

ATTEST *Margaret L. Magnusson* CLERK RECORDER
APPROVED THIS 28th DAY OF September 1979
BY THE CASTLE DALE CITY PLANNING COMMISSION.

Christine Stueck DIRECTOR SECRETARY
John J. Jorgensen CHAIRMAN

DATE: SEPT-79
DESIGN: H.R.T.
DRAWN: K.A.S.
SCALE: 1" = 50'

JOHANSEN & TUTTLE ENGINEERING INC.
CONSULTING ENGINEERS LAND SURVEYORS
CASTLE DALE, UTAH

VALLEY VIEW SUBDIVISION
PLAT 3
CASTLE DALE, EMERY COUNTY, UTAH

TERRACOR UTAH
SALT LAKE CITY, UTAH

SHEET 1
SHEETS 1